

Chapter 1

Introducing AutoCAD and AutoCAD LT

In This Chapter

- ▶ Getting the AutoCAD advantage
 - ▶ Using AutoCAD and DWG files
 - ▶ Meeting the AutoCAD product family
 - ▶ Using AutoCAD LT instead of AutoCAD
 - ▶ Finding out what's new in 2010
-

Maybe you're one of the few remaining holdouts who continue to practice the ancient art of manual drafting with pencil and vellum. If so, I must tell you, you're a dwindling breed. Or maybe you're completely new to drafting and yearn for the wealth and fame (would I lead you on?) of the drafter's life. Maybe you're an engineer or architect who needs to catch up with the young CAD hotshots in your office. Maybe you tried to use AutoCAD a long time ago, but gave up in frustration or just got rusty. Or maybe you currently use an older release, such as AutoCAD 2006 or even (if you're into antiques) AutoCAD 2000.

Whatever your current situation or motivation, I hope that you enjoy the process of becoming proficient with AutoCAD. Drawing with AutoCAD is challenging at first, but it's a challenge worth meeting. AutoCAD rewards those who think creatively about their work and look for ways to do it better. You can always find out more, discover a new trick, or improve the efficiency and quality of your drawing production.

AutoCAD first hit the bricks in the early 1980s, around the same time as the first IBM PCs. It was offered for a bewildering variety of operating systems, including CP/M (ask your granddad about that one!), various flavors of UNIX, and even Apple's Macintosh. By far the most popular of those early versions was for MS-DOS (your dad can tell you about that one). Eventually, Autodesk settled on Microsoft Windows as the sole operating system for AutoCAD. AutoCAD 2010 is officially supported in all Windows Vista versions (32- and 64-bit) except Home Basic, as well as 32-bit and 64-bit Windows XP Professional and Windows XP Home (32-bit only). Although it's not officially

supported, it can also run in Windows XP Tablet 2005 Edition and make use of the tablet functionality included in Windows Vista (again, except for the Home Basic edition). Trying to do production drafting on a tablet isn't a great idea due to limitations in the graphics system, but I know it works, because I'm running it that way myself!

Because of AutoCAD's MS-DOS heritage and its emphasis on efficiency for production drafters, it's not the easiest program to master, but it *has* gotten easier and more consistent over the past decade or so. AutoCAD is pretty well integrated into the Windows environment now, but you still bump into some vestiges of its MS-DOS legacy — especially the *command line* (that text area lurking at the bottom of the AutoCAD screen — see Chapter 2 for details). But even the command line — oops! *command window* — is kinder and gentler in AutoCAD 2010. This book guides you around the bumps and minimizes the bruises.

Why AutoCAD?

AutoCAD has been around a long time — since 1982, which I suspect, dear readers, is longer than some of you! AutoCAD ushered in the transition from *really expensive* mainframe and minicomputer CAD systems costing tens of thousands of dollars to merely *somewhat expensive* microcomputer CAD programs costing a few thousand dollars.

AutoCAD is, first and foremost, a program for creating *technical drawings*: drawings in which measurements and precision are important because these kinds of drawings often get used to build something. The drawings you create with AutoCAD must adhere to standards established long ago for hand-drafted drawings. The up-front investment to use AutoCAD is certainly more expensive than the investment needed to use pencil and paper, and the learning curve is much steeper, too. So why bother? The key reasons for using AutoCAD rather than pencil and paper are

- ✓ **Precision:** Creating lines, circles, and other shapes of the exact dimensions is easier with AutoCAD than with pencils.
- ✓ **Modifiability:** Drawings are much easier to modify on the computer screen than on paper. CAD modifications are a lot cleaner, too.
- ✓ **Efficiency:** Creating many kinds of drawings is faster with a CAD program — especially drawings that involve repetition, such as floor plans in a multistory building. But that efficiency takes skill and practice. If you're an accomplished pencil-and-paper drafter, don't expect CAD to be faster at first!

Figure 1-1 shows several kinds of drawings in AutoCAD 2010.

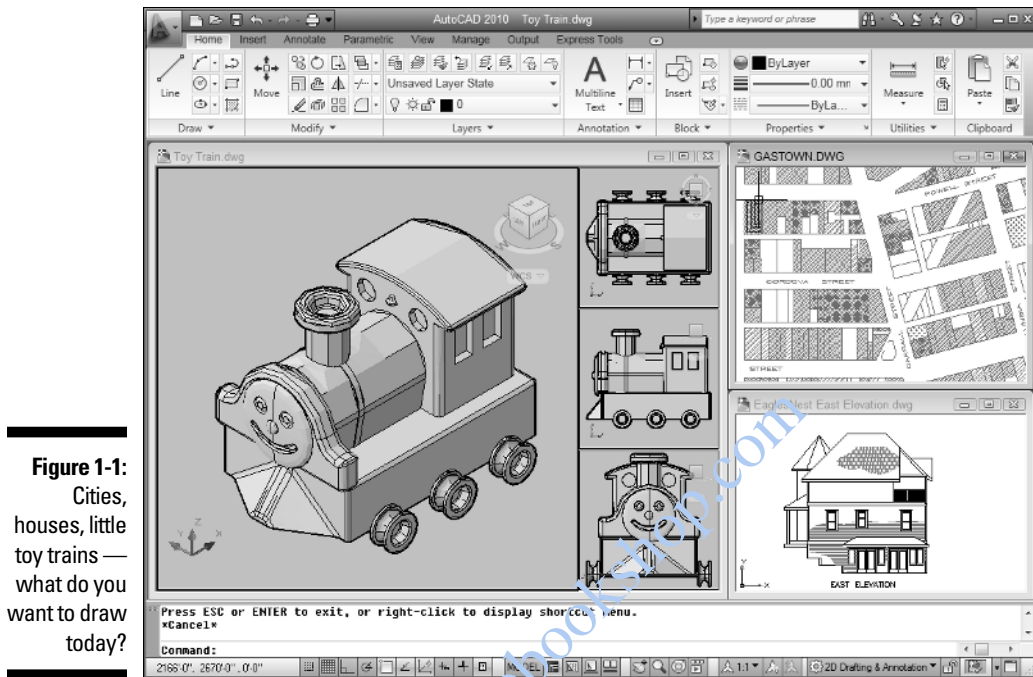


Figure 1-1:
Cities, houses, little toy trains — what do you want to draw today?

Why choose AutoCAD? AutoCAD is just the starting point of a whole industry of software products designed to work with AutoCAD. Autodesk has helped this process along immensely by designing a series of programming interfaces to AutoCAD (but not, alas, to AutoCAD LT — see the “Seeing the LT” section later in the chapter) that other companies — and Autodesk itself — have used to extend the application. Some of the add-on products have become such winners that Autodesk acquired them and incorporated them into its own products. When you compare all the resources — including the add-ons, extensions, training courses, books, and so on — AutoCAD doesn’t have much PC CAD competition.

The Importance of Being DWG

To take full advantage of AutoCAD in your work environment, you need to be aware of the *DWG* file format, the format in which AutoCAD saves drawings. Here are some DWG facts to keep in mind:

- ✓ In some cases, an older version of AutoCAD can’t open a DWG file that’s been saved by a newer AutoCAD release.
- ✓ A newer version of AutoCAD can *always* open files saved by older versions.

- ✔ Some previous AutoCAD releases can open files saved by the subsequent one or two versions. For example, AutoCAD 2007 and AutoCAD 2008 can open DWG files saved by AutoCAD 2009. That's because Autodesk didn't change the DWG file format between those releases. However, the drawing file format *did* change with AutoCAD 2010, so drawings created in the current release must be saved in an older format to be openable in AutoCAD 2009 and earlier.
- ✔ You can use the Save As option in newer releases to save the file to some older DWG formats. In fact, AutoCAD 2010 can save as far back as AutoCAD Release 14, which dates all the way back to 1997!

Table 1-1 shows which versions (described later in this chapter) use which DWG file formats.

<i>AutoCAD Version</i>	<i>AutoCAD LT Version</i>	<i>Release Year</i>	<i>DWG File Format</i>
AutoCAD 2010	AutoCAD LT 2010	2009	Acad 2010
AutoCAD 2009	AutoCAD LT 2009	2008	Acad 2007
AutoCAD 2008	AutoCAD LT 2008	2007	Acad 2007
AutoCAD 2007	AutoCAD LT 2007	2006	Acad 2007
AutoCAD 2006	AutoCAD LT 2006	2005	Acad 2004
AutoCAD 2005	AutoCAD LT 2005	2004	Acad 2004
AutoCAD 2004	AutoCAD LT 2004	2003	Acad 2004
AutoCAD 2002	AutoCAD LT 2002	2001	Acad 2000
AutoCAD 2000i	AutoCAD LT 2000i	2000	Acad 2000
AutoCAD 2000	AutoCAD LT 2000	1999	Acad 2000
AutoCAD Release 14	AutoCAD LT 98 and 97	1997	Acad R14
AutoCAD Release 13	AutoCAD LT 95	1994	Acad R13
AutoCAD Release 12	AutoCAD LT Release 2	1992	Acad R12



The new file format in AutoCAD 2010 was necessary to handle new features — especially parametric drafting. The new format is also more efficient at saving files and can handle much larger objects. Best of all from the user's perspective, it's noticeably faster to work with than AutoCAD 2009.

Working with AutoCAD is easier when your coworkers and colleagues in other companies all use the same release of AutoCAD and AutoCAD-related tools. That way, your DWG files, add-on tools, and even the details of your

CAD knowledge can be mixed and matched among your workgroup and partners. In the real world, you may work with people, probably from other companies, who use AutoCAD releases as old as AutoCAD 2000 — or even older.



Many programs claim to be *DWG compatible* — that is, capable of converting data to and from AutoCAD's DWG format. But achieving this compatibility is a difficult thing to do well. Even a small error in file conversion can have results ranging in severity from annoying to appalling. Every time you open a drawing file, AutoCAD checks its parentage and warns you if the drawing was created by a non-Autodesk program. If you exchange DWG files with people who use other CAD programs, you may have to spend time finding and fixing translation problems.

Seeing the LT

AutoCAD LT is one of the best deals around, a shining example of the old 80/20 rule: roughly 80 percent of the capabilities of AutoCAD for roughly 20 percent of the money. (Actually, with recent price creep, it's now more like a 70/30 rule!) Like AutoCAD, AutoCAD LT runs on mainstream Windows computers and doesn't require any additional hardware devices. With AutoCAD LT, you can be a player in the world of AutoCAD, the world's leading CAD program, for a comparatively low starting cost.

AutoCAD LT is a very close cousin to AutoCAD. Autodesk creates AutoCAD LT by starting with the AutoCAD program, taking out a few features to justify charging a lower price, and adding a couple of features to enhance ease of use versus full AutoCAD. As a result, AutoCAD LT looks and works much like AutoCAD. The drawing areas, Ribbons, and Application Menu of the two programs are nearly identical. (LT is missing a few Ribbon tabs, panels, and commands.)

In fact, the major difference between the programs has nothing to do with the programs themselves. The major difference is that AutoCAD LT lacks support for several customization and programming languages that are used to develop AutoCAD add-ons. So almost none of the add-on programs or utilities offered by Autodesk and others are available to LT users.

AutoCAD LT also has only limited 3D support. You can view and edit 3D objects in AutoCAD LT, so you can work with drawings created in AutoCAD that contain 3D objects. However, you can't create true 3D objects in LT.

The lack of 3D object creation in LT isn't as big a drawback for many users as you may think. Despite a lot of hype from the computer press and CAD vendors (including Autodesk), 3D CAD remains a relatively specialized activity. The majority of people use CAD programs to create 2D drawings.

Although you may hear claims that AutoCAD LT is easier to master and use than AutoCAD, the truth is that they're about equally difficult (or easy, depending on your *NQ* [nerd quotient]). The LT learning curve doesn't differ significantly from that of AutoCAD. AutoCAD was originally designed for maximum power and then modified somewhat to improve ease of use. AutoCAD LT shares this same heritage.

Fortunately, the minimal differences between LT and AutoCAD mean that after you've climbed that learning curve, you'll have the same great view. You'll have almost the full range of the AutoCAD 2D drafting tools, and you'll be able to exchange DWG files with AutoCAD users without data loss.



This book covers AutoCAD 2010, but almost all the information in it applies to AutoCAD LT 2010 as well. The icon that you see to the left of this paragraph highlights significant differences.

Checking system requirements

If you're upgrading from AutoCAD 2005 or another recent release, and you work mostly or entirely in 2D, you're probably already current with system requirements. In fact, if your work is mostly or entirely 2D — and therefore, this applies especially for LT users — AutoCAD 2010 will run fine on pretty well any computer that will run Windows XP or Vista.

AutoCAD's requirements for running in Vista are substantially higher than for running in XP. This section covers the details.

You should know the following before you upgrade from any older AutoCAD release:

- ✓ **Wash those old Windows:** AutoCAD 2010 does *not* support older versions of Windows, such as Windows 2000, NT, 98, or Me. For AutoCAD 2010, you have two choices:
 - Windows XP (Home or Professional, SP2 or later)
 - Windows Vista (Enterprise, Business, Ultimate or Home Premium, SP1 or later)

If you like to be cutting edge, there are 64-bit versions of AutoCAD 2010 and AutoCAD LT 2010 that run in the 64-bit versions of XP and Vista.

- ✓ **DWG file compatibility:** The previous three releases shared a common DWG file format, but AutoCAD 2010 uses a new format. You have to use the Save As option on the Application Menu, or the SAVEAS command, to create DWG files for users of AutoCAD 2006 and earlier versions. You can save as far back as Release 14, and if you need to go even further back, you can save to the Release 12 DXF format. Look up *DXF files* in the online help index for instructions.





- ✓ **Application compatibility:** If you use third-party applications with a previous AutoCAD release, they may not work with AutoCAD 2010. AutoCAD applications developed with the .NET or the ObjectARX (AutoCAD Runtime eXtension) interfaces will probably need to be recompiled. VBA (Visual Basic for Applications) applications may or may not work with AutoCAD 2010, but many LSP (AutoLISP) programs written for the last several versions of AutoCAD should work without change.

Built-in support for VBA applications has been removed from AutoCAD 2010. You now have to download and install the VBA enabler from Autodesk's Web site. At the time of updating this chapter, the URL has not been finalized; just go to www.autodesk.com and enter **VBA enabler** in the Search box.

- ✓ **Computer system requirements:** For AutoCAD 2010, Autodesk recommends a 1.6 GHz or better Intel or AMD processor with at least 2 GB of RAM if running in Windows XP, and a 3.0 GHz or better chip and 2 GB of RAM if running in Windows Vista. Multiple processors and dual core are supported. You also need a 1024 x 768 or higher display resolution with True Color graphics, 1 to 1.6 GB of available hard disk space, an Internet connection, and Microsoft Internet Explorer 7.0 or later (Internet Explorer 7.0 or later for 64-bit).
- ✓ **Additional requirements for working in 3D:** AutoCAD recommends a 3 GHz or better processor; 2 GB or more of RAM; a workstation-class, Direct3D-capable graphics card with at least 128 MB of memory; and an additional 2 GB of hard disk space beyond the 1 GB required for installation.



I find even the recommended system requirements on the minimal side. For example, my desktop computer runs at a screen resolution of 1280 x 1024, and my tablet computer runs at 1400 x 1050. The figures in this book were shot at a resolution of 1024 x 768, and as you can see, things can get pretty crowded at that resolution.

Suddenly, It's 2010!

There's been a new release of AutoCAD every spring since AutoCAD 2004 was launched in 2003. That's not much time for even an army of programmers to deliver a compelling new feature set that's going to convince all users that they just have to upgrade. What seems to have been happening is a concentration on particular areas in recent releases. For example, AutoCAD 2007 was the 3D release; the 3D modeling engine was made much easier to use, but there was relatively little to please the 2D crowd. By contrast, AutoCAD 2008 was deemed to be "the drafter's release" because of the number of enhancements to 2D drawing capabilities — above all, the introduction of annotative documentation objects. In AutoCAD 2009, the new Microsoft Office 2007-style

interface got the lion's share of development time; significant new features were limited to some 3D navigation tools.



The interface gets some minor changes this time. There are a few new or renamed tabs, and AutoCAD 2009's Menu Browser is completely remodeled into the new Application Menu, which is even *more* Office 2007-like than it was in AutoCAD 2009. I introduce you to the updated interface in Chapter 2, but here are several truly new features to mention first:

- ✓ **Parametric drafting:** The 3D folks don't get all the goodies. If anything, parametric drafting is an even greater benefit to 2D drafters than organic modeling is to the 3D types. Put as simply as possible, parameters are dimensional or geometric *constraints*; changing the value of a parametric dimension, or adding or removing geometric constraints, causes the object geometry itself to change. AutoCAD's parametric features work in 2D only (so far). AutoCAD LT users can edit parameters but can't create any.

I introduce you to parametric drafting in Chapter 19.

- ✓ **New or improved commands:** The new REVERSE command lets you reverse the direction of lines and polylines. You can convert splines to polylines for additional editing options. A new MEASUREGEOM tool set on the Ribbon gathers several inquiry commands into a single home.

I introduce you to these features in Chapters 8 through 11.

- ✓ **Annotation enhancements:** The HATCH command now indicates graphically where gaps in the boundary prevent a hatch object from being created. Dimension text can be placed below the dimension line or positioned so it can be read from right to left or left to right.

I discuss text, dimensions, and hatching in Chapters 13, 14, and 15, respectively.

- ✓ **Reference files:** You can now attach PDFs as well as DWFs and MicroStation DGN files as drawing underlays.

For more about using external reference files, see Chapter 18.

- ✓ **Viewport enhancements:** You can now rotate the view of objects within a viewport to better fit your drawing sheet. (*I love this one!*) I cover layouts and viewports in Chapter 5.

- ✓ **Organic modeling:** Yes, AutoCAD now offers preservative-free 3D! Okay, what organic modeling *really* means is freeform shape creation. AutoCAD (but not AutoCAD LT) offers a new set of mesh-based primitive objects than you can pull and push to create any shape you like.

I don't cover 3D modeling in *AutoCAD 2010 For Dummies*, so if you want to find out more, have a look in the online help or visit www.autodesk.com/autocad-tutorials.

